

PCS1

Технические характеристики

По вопросам продаж и поддержки обращайтесь:

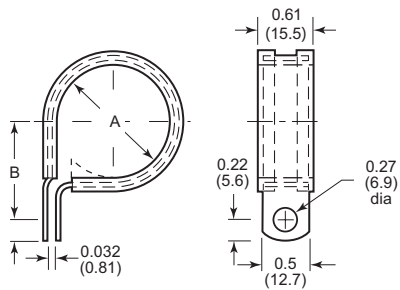
Алматы (7273)495-231	Казань (843)206-01-48	Новокузнецк (3843)20-46-81	Смоленск (4812)29-41-54
Архангельск (8182)63-90-72	Калининград (4012)72-03-81	Новосибирск (383)227-86-73	Сочи (862)225-72-31
Астрахань (8512)99-46-04	Калуга (4842)92-23-67	Омск (3812)21-46-40	Ставрополь (8652)20-65-13
Барнаул (3852)73-04-60	Кемерово (3842)65-04-62	Орел (4862)44-53-42	Сургут (3462)77-98-35
Белгород (4722)40-23-64	Киров (8332)68-02-04	Оренбург (3532)37-68-04	Тверь (4822)63-31-35
Брянск (4832)59-03-52	Краснодар (861)203-40-90	Пенза (8412)22-31-16	Томск (3822)98-41-53
Владивосток (423)249-28-31	Красноярск (391)204-63-61	Пермь (342)205-81-47	Тула (4872)74-02-29
Волгоград (844)278-03-48	Курск (4712)77-13-04	Ростов-на-Дону (863)308-18-15	Тюмень (3452)66-21-18
Вологда (8172)26-41-59	Липецк (4742)52-20-81	Рязань (4912)46-61-64	Ульяновск (8422)24-23-59
Воронеж (473)204-51-73	Магнитогорск (3519)55-03-13	Самара (846)206-03-16	Уфа (347)229-48-12
Екатеринбург (343)384-55-89	Москва (495)268-04-70	Санкт-Петербург (812)309-46-40	Хабаровск (4212)92-98-04
Иваново (4932)77-34-06	Мурманск (8152)59-64-93	Саратов (845)249-38-78	Челябинск (351)202-03-61
Ижевск (3412)26-03-58	Набережные Челны (8552)20-53-41	Севастополь (8692)22-31-93	Череповец (8202)49-02-64
Иркутск (395)279-98-46	Нижний Новгород (831)429-08-12	Симферополь (3652)67-13-56	Ярославль (4852)69-52-93
Россия (495)268-04-70	Киргизия (996)312-96-26-47	Казахстан (7172)727-132	

P Clamp Supports

- ❖ Economic Choice
- ❖ Install easily by using a single screw

Materials

Component	Material	Temperature Range
Clamp	304 S.S.	-40°C to 100°C
Cushion	Black EPDM	



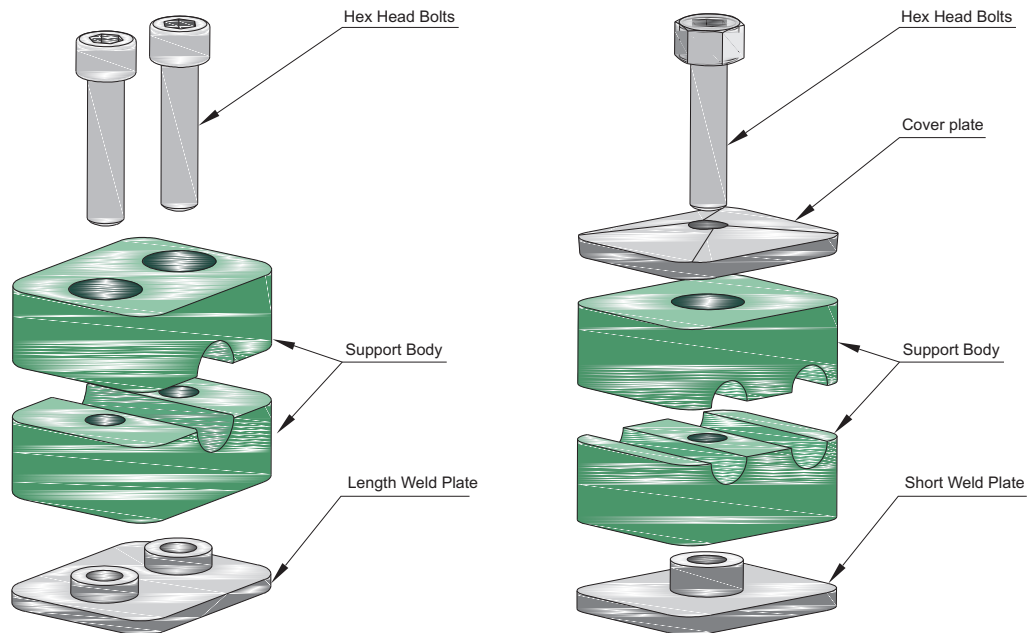
A, Tube Size		Ordering Number	B in. (mm)
in.	mm		
1/4	6	PSC-P-4-304	0.53 (13.5)
3/8	10	PCS-P-6-304	0.59 (15.0)
1/2	12	PCS-P-8-304	0.65 (16.5)
3/4	20	PCS-P-12-304	0.84 (1.3)
1	25	PCS-P-16-304	0.95 (4.1)



Bolted Plastic Clamp Supports

Features

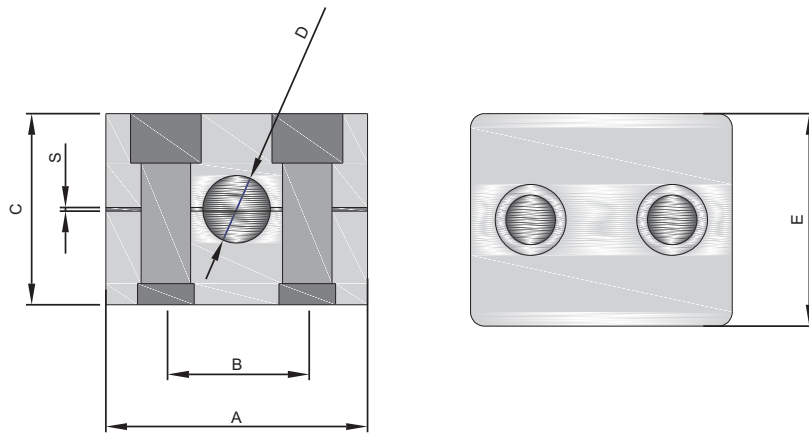
- ❖ Pipe, tube, and hose supports
- ❖ 1/4 to 1 1/2 in. and 6 to 38 mm outside diameter
- ❖ 304 stainless steel, carbon steel, Polyamide and polypropylene
- ❖ Wall- and channel-mounted options
- ❖ Single and multiple lines



Materials

Component	Material	Designator	Temperature Range
Support Body	polypropylene	PP	-30°C to 90°C
	Polyamide	PA	-40°C to 120°C
Others (Metal Parts)	304 stainless steel	304	—
	Carbon steel	CS	

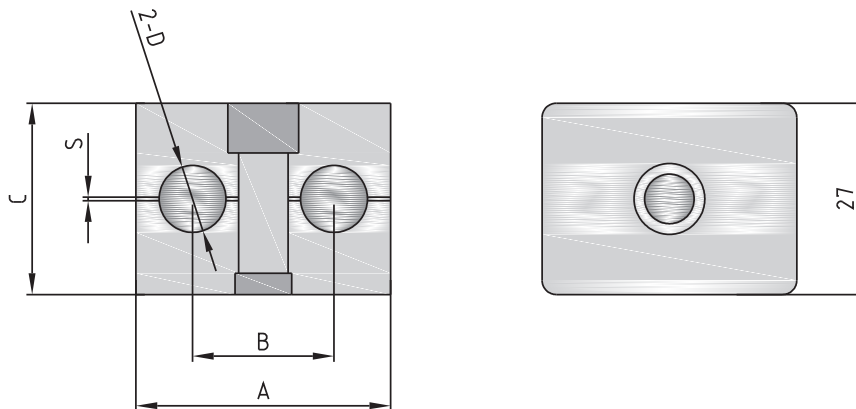
Single-Support Bodys



Tube O.D. Ø D mm	Basic Ordering Number	Dimension, mm							
		A	B	C	S	E			
6	PCS-SB-M6-	37	20	27	0.4	30			
8	PCS-SB-M8-								
10	PCS-SB-M10-								
12	PCS-SB-M12-								
14	PCS-SB-M14-	42	26	33	0.6		30		
16	PCS-SB-M16-								
18	PCS-SB-M18-								
20	PCS-SB-M20-	50	33	36	0.6			30	
22	PCS-SB-M22-								
25	PCS-SB-M25-								
28	PCS-SB-M28-	59	40	42	0.6				30
30	PCS-SB-M30-								
32	PCS-SB-M32-								
38	PCS-SB-M38-	71	52	58	0.8	30			

Tube O.D. Ø D in.	Basic Ordering Number	Dimension, in.							
		A	B	C	S	E			
1/4	PCS-SB-F4-	37	20	27	0.4	30			
5/16	PCS-SB-F5-								
3/8	PCS-SB-F6-								
1/2	PCS-SB-F8-	42	26	33	0.6		30		
5/8	PCS-SB-F10-								
3/4	PCS-SB-F12-								
7/8	PCS-SB-F14-	50	33	36	0.6			30	
1	PCS-SB-F16-								
1 1/4	PCS-SB-F20-								
1 1/2	PCS-SB-F24-	71	52	58	0.8				30

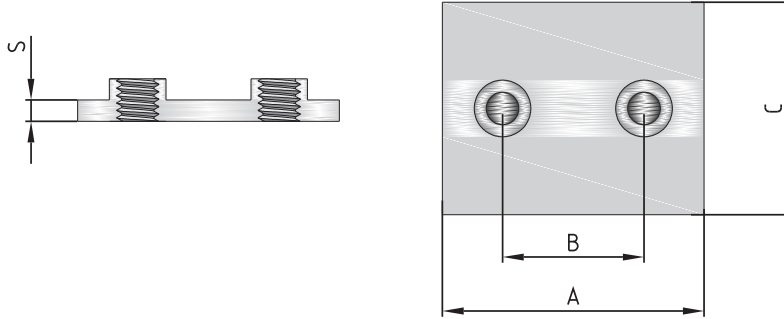
Twin-Support Bodies



Tube O.D. Ø D mm	Basic Ordering Number	Dimension, mm				
		A	B	C	S	E
6	PCS-TB-M6-	36	20	27	0.6	30
8	PCS-TB-M8-					
10	PCS-TB-M10-					
12	PCS-TB-M12-					
14	PCS-TB-M14-	53	29	27	0.7	
16	PCS-TB-M16-					
18	PCS-TB-M18-					
20	PCS-TB-M20-	67	36	37	0.7	
22	PCS-TB-M22-					
25	PCS-TB-M25-					
28	PCS-TB-M28-	80	45	40	0.7	
30	PCS-TB-M30-					
32	PCS-TB-M32-					
38	PCS-TB-M38-	106	56	53	0.7	

Tube O.D. Ø D in.	Basic Ordering Number	Dimension, in.				
		A	B	C	S	E
1/4	PCS-TB-F4-	36	20	27	0.6	30
5/16	PCS-TB-F5-					
3/8	PCS-TB-F6-					
1/2	PCS-TB-F8-	53	29	27	0.7	
5/8	PCS-TB-F10-					
3/4	PCS-TB-F12-					
7/8	PCS-TB-F14-	67	36	37	0.7	
1	PCS-TB-F16-					
1 1/4	PCS-TB-F20-	106	56	53	0.7	
1 1/2	PCS-TB-F24-					

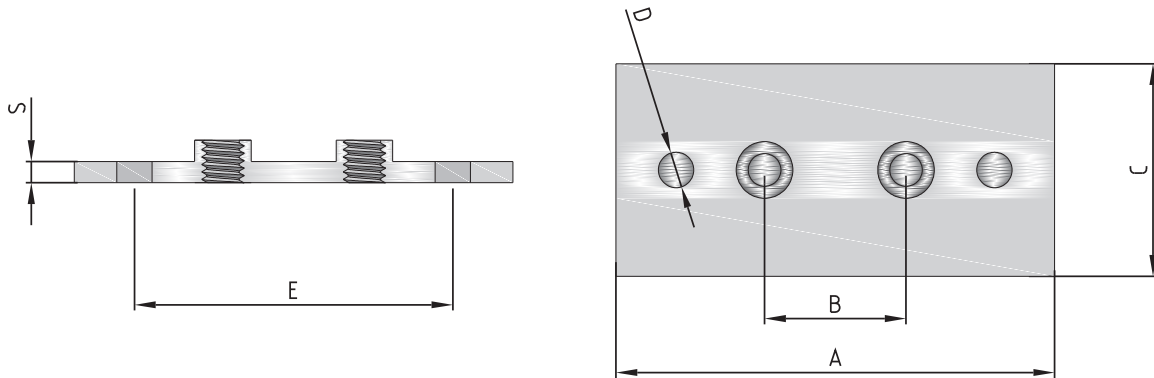
Single Support Weld Plate



Tube O.D. Ø D mm	Basic Ordering Number	Dimension, mm				
		A	B	C	S	Thread
6	PCS-SF-1-	37	20	30	3	M6X1
8						
10						
12						
14	PCS-SF-2-	42	26			
16						
18						
20	PCS-SF-3-	50	33			
22						
25						
28						
30	PCS-SF-4-	59	40			
32						
38	PCS-SF-5-	71	52			

Tube O.D. Ø D in.	Basic Ordering Number	Dimension, in.				
		A	B	C	S	Thread
1/4	PCS-SF-1-	37	20	30	3	M6X1
5/16						
3/8						
1/2	PCS-SF-2-	42	26			
5/8						
3/4	PCS-SF-3-	50	33			
7/8						
1						
1 1/4	PCS-SF-5-	71	52			
1 1/2						

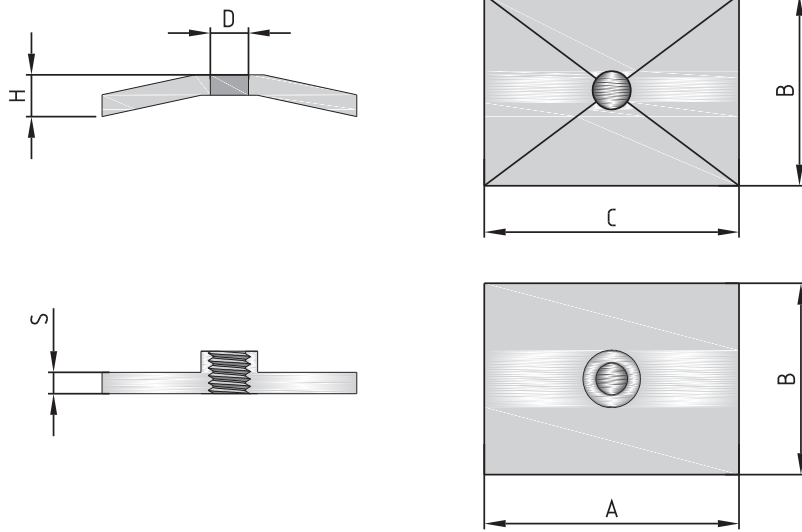
Single Support Elongated weld plate



Tube O.D. Ø D mm	Basic Ordering Number	Dimension, mm						
		A	B	E	C	D	S	Thread
6	PCS-ESF-1-	64	20	50	30	7	3	M6X1
8								
10								
12								
14	PCS-ESF-2-	70	26	56	30	7	3	M6X1
16								
18								
20	PCS-ESF-3-	78	33	64	30	7	3	M6X1
22								
25								
28	PCS-ESF-4-	87	40	73	30	7	3	M6X1
30								
32	PCS-ESF-5-	100	52	86	30	7	3	M6X1
38								

Tube O.D. Ø D in.	Basic Ordering Number	Dimension, in.						
		A	B	E	C	D	S	Thread
1/4	PCS-ESF-1-	64	20	50	30	7	3	M6X1
5/16								
3/8								
1/2	PCS-ESF-2-	70	26	56	30	7	3	M6X1
5/8								
3/4								
7/8	PCS-ESF-3-	78	33	64	30	7	3	M6X1
1								
1 1/4	PCS-ESF-5-	100	52	86	30	7	3	M6X1
1 1/2								

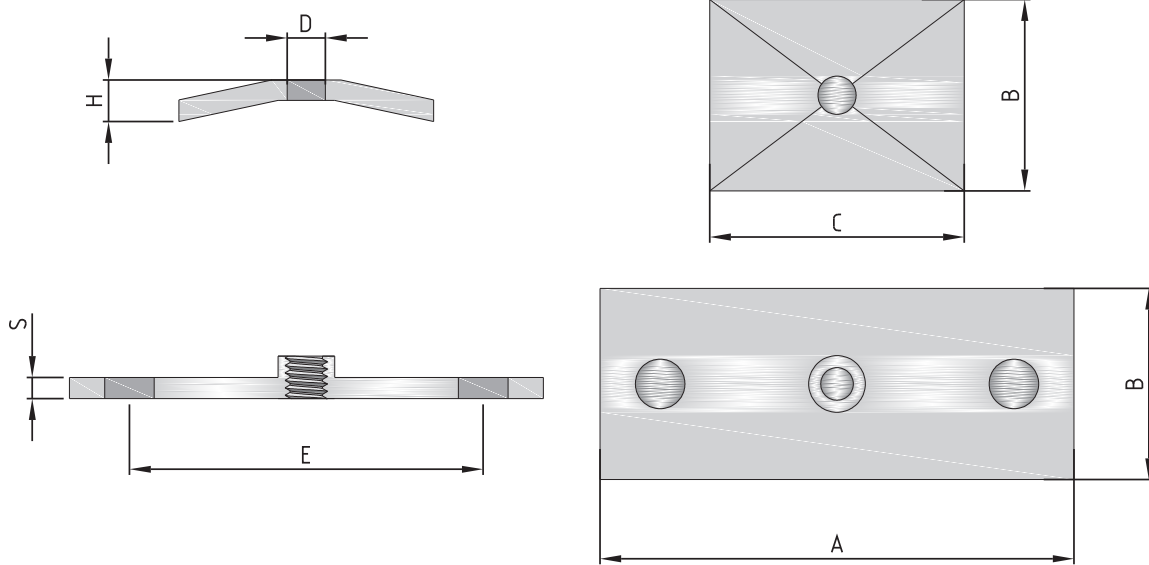
Twin Support Cover and Weld Plate



Tube O.D. Ø D mm	Basic Ordering Number	Dimension, mm						
		A	C	D	S	B	H	Thread
6	PCS-TF-1-	37	36	7	3	30	6	M6X1
8								
10								
12								
14	PCS-TF-2-	55	53	9	5			M8X1.25
16								
18								
20	PCS-TF-3-	70	67	9	5			
22								
25								
28	PCS-TF-4-	85	80	9	5			
30								
32	PCS-TF-5-	110	106	9	5			
38								

Tube O.D. Ø D in.	Basic Ordering Number	Dimension, in.						
		A	C	D	S	B	H	Thread
1/4	PCS-TF-1-	37	36	7	3	30	6	M6X1
5/16								
3/8								
1/2	PCS-TF-2-	55	53	9	5			M8X1.25
5/8								
3/4								
7/8	PCS-TF-3-	70	67	9	5			
1								
1 1/4	PCS-TF-5-	110	106	9	5			
1 1/2								

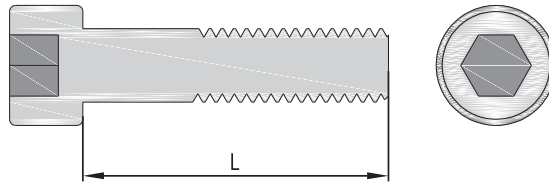
Twin Support Cover and Elongated Weld Plate



Tube O.D. Ø D mm	Basic Ordering Number	Dimension, mm							
		A	E	C	D	S	B	H	Thread
6	PCS-ETF-1-	64	50	36	7	3	30	6	M6X1
8									
10									
12									
14	PCS-ETF-2-	70	56	53	9	5			M8X1.25
16									
18									
20	PCS-ETF-3-	78	64	67	9	5			M8X1.25
22									
25									
28	PCS-ETF-4-	87	73	80	9	5	M8X1.25		
30									
32	PCS-ETF-5-	100	86	106	9	5	M8X1.25		
38									

Tube O.D. Ø D in.	Basic Ordering Number	Dimension, mm							
		A	E	C	D	S	B	H	Thread
1/4	PCS-ETF-1-	37	50	36	7	3	30	6	M6X1
5/16									
3/8									
1/2	PCS-ETF-2-	55	56	53	9	5			M8X1.25
5/8									
3/4									
7/8	PCS-ETF-3-	70	64	67	9	5			M8X1.25
1									
1 1/4	PCS-ETF-5-	110	86	106	9	5			M8X1.25
1 1/2									

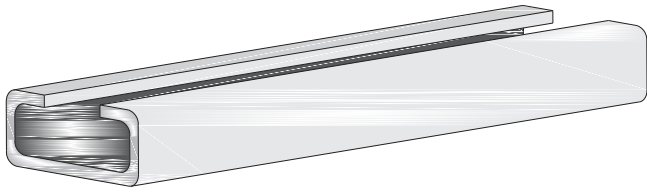
Bolts



Single-Support		Basic Ordering Number	L	Thread
Tube O.D. D(mm)	Tube O.D. D(in.)			
6	1/4	PCS-B-M6X20-	20	M6X1
8	5/16			
10	3/8			
12	—	PCS-B-M6X25-	25	
14	1/2			
16	5/8			
18	—	PCS-B-M6X30-	30	
20	3/4			
22	7/8			
25	1	PCS-B-M6X35-	35	
28	—			
30	—			
32	1 1/4	PCS-B-M6X50-	50	
38	1 1/2			

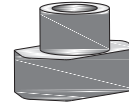
Twin-Support		Basic Ordering Number	L	Thread
Tube O.D. D(mm)	Tube O.D. D(in.)			
6	1/4	PCS-B-M6X35-	35	M6X1
8	5/16			
10	3/8			
12	—	PCS-B-M8X40-	40	M8X1.25
14	1/2			
16	5/8			
18	—	PCS-B-M8X50-	50	
20	3/4			
22	7/8			
25	1	PCS-B-M8X60-	60	
28	—			
30	—			
32	1 1/4	PCS-B-M8X65-	65	
38	1 1/2			

Mounting Rail



Length (mm)	Thread	Basic Ordering Number
1000	M6X1	PCS-MR-M6-M1000-
	M8X1.25	PCS-MR-M8-M1000-
2000	M6X1	PCS-MR-M6-M2000-
	M8X1.25	PCS-MR-M8-M2000-

Rail Nut



Thread	Basic Ordering Number
M6X1	PCS-RN-M6-
M8X1.25	PCS-RN-M8-

Two rail nuts are required for single support body;
One rail nut is required for twin support body.

How to Order

PCS	SP	M8	PA	304	
Series	Type	Outside Diameter Type	Outside Diameter Size	Body Material	Plate material
PCS	SP Single-Support Weld Plate	M Metric F Fractional	4 1/4 in.	PA Polyamide PP polypropylene	304 304 S.S. CS Carbon steel
	TP Twin-Support Weld Plate		5 5/16 in.		
	SEP Single-Support Elongated Weld Plate		6 3/8 in. or 6 mm		
	TEP Twin-Support Elongated Weld Plate		8 1/2 in. or 8 mm		
	SRP Single-Support Rail Mounting		10 5/8 in. or 10 mm		
	TRP Twin-Support Rail Mounting		12 3/4 in. or 12 mm		
			14 7/8 in. or 14 mm		
			15 15 mm		
			16 1 in. or 16 mm		
			18 1 1/8 in. or 18 mm		
			20 1 1/4 in. or 20 mm		
			22 22 mm		
			24 1 1/2 in.		
			25 25 mm		
			28 28 mm		
			32 32 mm		
	38 38 mm				

По вопросам продаж и поддержки обращайтесь:

Алматы (7273)495-231	Казань (843)206-01-48	Новокузнецк (3843)20-46-81	Смоленск (4812)29-41-54
Архангельск (8182)63-90-72	Калининград (4012)72-03-81	Новосибирск (383)227-86-73	Сочи (862)225-72-31
Астрахань (8512)99-46-04	Калуга (4842)92-23-67	Омск (3812)21-46-40	Ставрополь (8652)20-65-13
Барнаул (3852)73-04-60	Кемерово (3842)65-04-62	Орел (4862)44-53-42	Сургут (3462)77-98-35
Белгород (4722)40-23-64	Киров (8332)68-02-04	Оренбург (3532)37-68-04	Тверь (4822)63-31-35
Брянск (4832)59-03-52	Краснодар (861)203-40-90	Пенза (8412)22-31-16	Томск (3822)98-41-53
Владивосток (423)249-28-31	Красноярск (391)204-63-61	Пермь (342)205-81-47	Тула (4872)74-02-29
Волгоград (844)278-03-48	Курск (4712)77-13-04	Ростов-на-Дону (863)308-18-15	Тюмень (3452)66-21-18
Вологда (8172)26-41-59	Липецк (4742)52-20-81	Рязань (4912)46-61-64	Ульяновск (8422)24-23-59
Воронеж (473)204-51-73	Магнитогорск (3519)55-03-13	Самара (846)206-03-16	Уфа (347)229-48-12
Екатеринбург (343)384-55-89	Москва (495)268-04-70	Санкт-Петербург (812)309-46-40	Хабаровск (4212)92-98-04
Иваново (4932)77-34-06	Мурманск (8152)59-64-93	Саратов (845)249-38-78	Челябинск (351)202-03-61
Ижевск (3412)26-03-58	Набережные Челны (8552)20-53-41	Севастополь (8692)22-31-93	Череповец (8202)49-02-64
Иркутск (395)279-98-46	Нижний Новгород (831)429-08-12	Симферополь (3652)67-13-56	Ярославль (4852)69-52-93
Россия (495)268-04-70	Киргизия (996)312-96-26-47	Казахстан (7172)727-132	